



RSP

Automotive & Industrial

QUALITY SINCE 1974

4x4
Catalogue
Issue 1



RSP AUTOMOTIVE & INDUSTRIAL PTY LTD
(Incorporating Rare Spares)

20-22 Truck City Drive, Campbellfield, Vic 3061, Australia

Ph: +61 3 9305 4000 | Fax: +61 3 9305 3520 | www.rsp.net.au | rsp@rsp.net.au

RSP AUTOMOTIVE & INDUSTRIAL – INDUSTRY LEADERS AND ARGUABLY AUSTRALIA’S LARGEST SUPPLIER OF MOULDED RUBBER PRODUCTS AND EXTRUSIONS.

RSP Automotive and Industrial pride ourselves on being one of the most trusted, respected and recognised names in both the Industrial and Automotive industries. We strive to provide our customers with exceptional service, quality and a diversified range of products that you can rely on.

RSP Automotive and Industrial has been owned and operated in Australia since 1974. RSP originally started business supplying new and refurbished parts for early model Holdens under the name ‘Rare Spares’. Today we are a diversified company that specialises in Automotive Restoration, Industrial Rubber products, Pressed Metal products, Automotive OEM products and are the Australasian distributor of internationally recognised brand Codan hose.

RSP’s personalised focus to its customer base includes large and immediately accessible stockholding, spanning over 3,000 square metres, and an extensive infrastructure including central warehousing, industry leading logistics and national distribution ensuring that customer delivery expectations are consistently met.

RSP’s emphasis on quality and service is benchmarked against worldwide standards, with the company possessing ISO 9001 Quality Managements System certification by SAI Global.



RSP IS A BRAND YOU CAN TRUST! IF YOU CAN'T FIND IT, CONTACT US TODAY!

RSP has successfully sourced and supplied thousands of unique products to both the Industrial and Automotive sectors, ranging from specialised rubber seals to electrical turn signal switches. Our established global supplier base includes plastic, rubber, metal stamping, cable, electrical components, metal casting and filter manufacturing plants.

Our expert sales, product and development team utilises a tailored RFQ (request for quotation) system which ensures all of our customer requirements are met and that they are handled efficiently and effectively with optimal results. If you require a quote or a product to be developed please contact our dynamic sales team on:

03 9305 4000 or email: sales@rsp.net.au



QUALITY

RSP is the only company to comply with the requirements of FMVSS302 (Federal Motor Vehicle Safety Standard) on some pinchwelds and RSP's wheel chocks have also been independently tested to the load factors in the SAE J348 (Society of Automotive Engineers) international standard and meet, and in some cases exceed, the required load ratings in the standard

DISCLAIMER

This catalogue represents a range of products that at the time of printing are available and correct, however this may change without notice and RSP reserves the right to alter designs and dimensions without notice. All dimensions are approximate measurements and should be used as a guide only. During the course of time we will add new and exciting ranges which will be included in the next edition of our catalogue. For the most up to date information on our range of products please visit www.rsp.net.au.



Table of Contents

Windscreen Seals	5
Profiles & Extrusions	7
Automotive Hose	11
Matting	21
Moulded Rubber Products	25
Notes	34

Windscreen Seals



WINDSCREEN SEALS

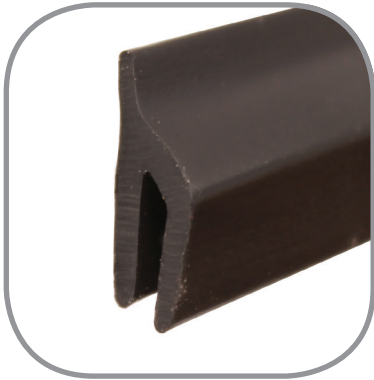
Glass Seals For Your Windscreen

Windscreen and vehicle window seals are black rubber strips around the glass edging. They have the important job of keeping the glass firmly in place and protecting your interior from the elements. While they're not an obvious safety feature, windscreen and window seals are one of the most important of your 30,000 vehicle parts.



PART No.	Description
72710-06J00	Windscreen Seal Front Nissan Patrol MQ 1980-1988
72710-C6000	Windscreen Seal Front Nissan Patrol GQ 88 Ford Maverick
WSF313	Windscreen Seal Front Toyota Land Cruiser FJ80 1990- With Out Moulding
WSF320	Windscreen Seal Front Toyota Hilux RN20 1972-1978
WSF321B	Windscreen Seal Front Toyota Hilux RN30 1980-1983 With Moulding
WSF322	Windscreen Seal Front Toyota Hilux RN50 RN60 1984-1988
WSF323A	Windscreen Seal Front Toyota Hilux LN85 1988-1991 With Out Moulding
WSF327A	Windscreen Seal Front Toyota Land Cruiser FJ60 8/1980-3/1990 With Moulding
WSF327B	Windscreen Seal Front Toyota Land Cruiser FJ60 1980-1990 With Out Moulding
WSR238	Windscreen Seal Rear Side Glass Toyota FJ40 FJ45 Ute
WSR327	Windscreen Seal Rear Centre Glass Toyota FJ40 FJ45 Ute

Profiles & Extrusions



RUBBER EXTRUSION - D SEALS



Supplied in 30m rolls



Universal Tailgate Dust Seal

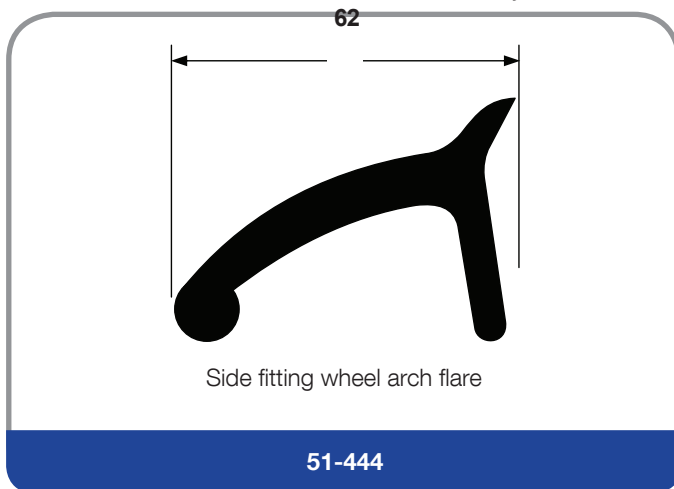
Also available in 3 Metre Retail Handy Pack Part Number DS101/3M



Under Bonnet Dust Seal

WHEEL ARCH FLARES

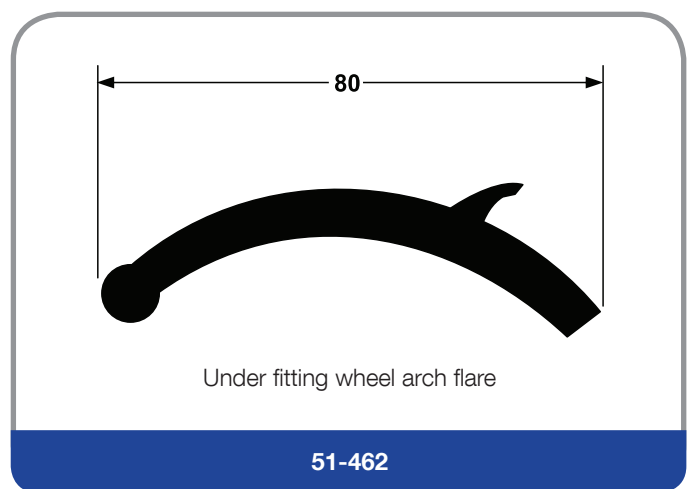
EPDM rubber rolled to suit wheel arch curves, fully ozone and UV stable



Supplied in 30m coils

Features:

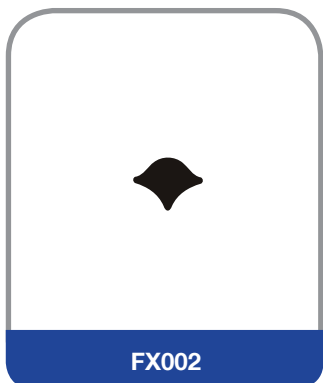
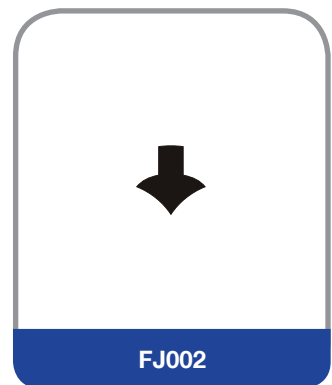
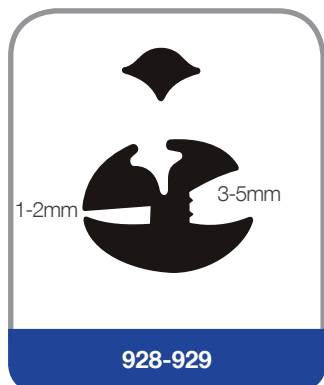
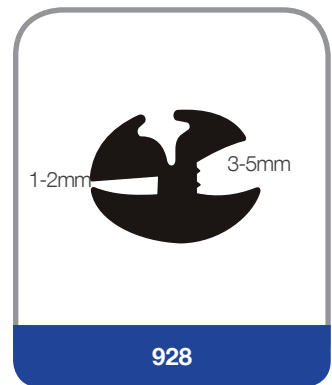
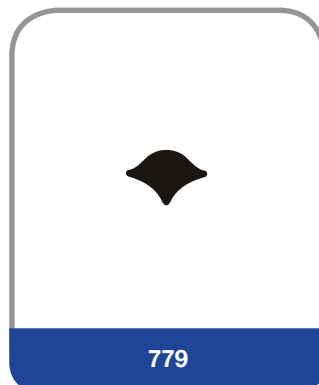
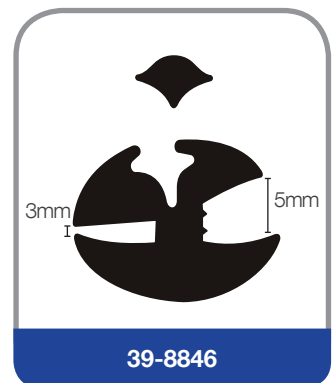
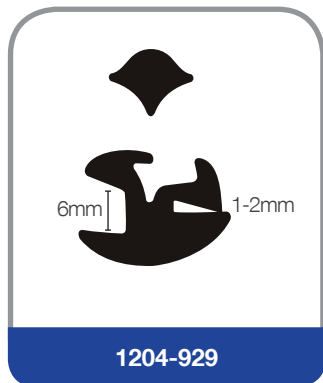
- Suitable for fitting under wheel arch for protection
- Hard wearing EPDM Rubber
- Durable



Ideal For:

- Bus
- Truck
- 4WD

GLAZING CHANNELS & LOCKING STRIPS (Below images are actual size)



All dimensions in millimetres

All supplied in 30 Metre Coils

PVC EXTRUSION – FENDER PIPING/FLARE

PART No.	Description	Roll Length
F17365	Black	100m
# F17365W	White	50m

PART No.	Description	Roll Length
77-976	Black	100m

TANK STRAPS EPDM

TS40

TS50

Ideal for:

- Gas Bottles
- Fuel tanks
- Water tanks

Anywhere metal strap are used for insulation & bracing.

Supplied in 50m rolls

Made from EPDM which stands for Ethylene Propylene Diene Monomer (M-Class) rubber. EPDM straps are a very durable as they are more resistant to UV degradation.

***Other sizes available upon request**

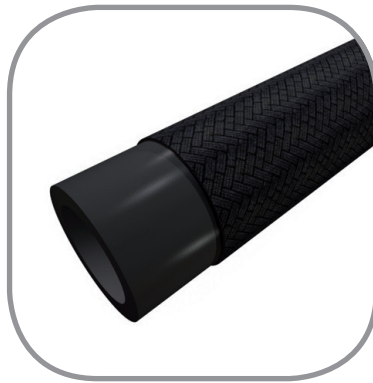
BRACKET STRAPS EPDM

BS50

All dimensions in millimetres

#Non Stock Line - Minimum order quantities apply

Automotive Hose





R10 SUBMERSIBLE FUEL HOSE

Codan R10 Submersible Fuel Hose is specifically designed for in-tank applications where the hose is in constant contact with fuel and other liquid petroleum fuels.

This hose is suitable to handle fuel, alcohol-extended fuel or diesel on the inside and the outside when fully immersed, mobile or stationary for both Automotive and Marine applications.

The inner liner is made from FKM (Viton) which resists gas permeation and retards aging, the inner tube from NBR (Nitrile) with an outer cover of CPE (Chlorinated Polyethylene). This hose conforms to the stringent requirements of SAE J30 R10 SPECIFICATIONS for submersible fuel line hose.

This hose is engineered for constant contact on the inside and outside and is excellent for use on fuel pumps in the gas tank.

Features:

- Aramid Fiber reinforcement offers higher working pressures and increased burst strength
- Maximum temperature rating: +150°C



PART No.	I.D. (mm)	I.D. (inch)	Wall Thickness (mm)	O.D. (mm)	Working Pressure (Bar)	Working Pressure (Mpa)	Bend Radius (mm)	Weight (gm/m)	Length (mm)
ITF391022	7.9	5/16	3.0	14.0	6.9	0.69	25	165	300

R9 FUEL INJECTION HOSE

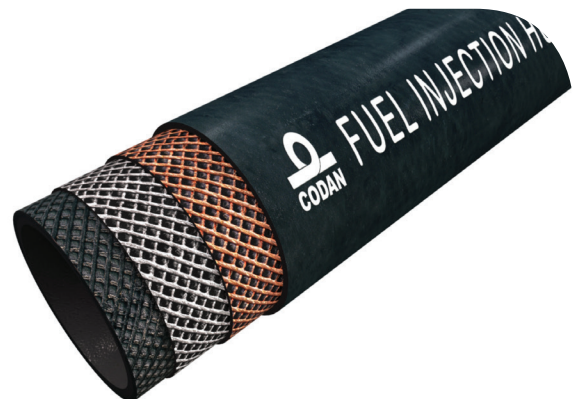
Codan R9 EFI Fuel Injection Hose is designed to run at higher pressures and temperatures than normal Fuel Injection Hoses.

The inner liner is made of FKM (Viton), the inner tube from NBR (Nitrile) with an outer cover of CSM (Hyperlon).

This hose is suitable for petrol with a maximum E20 rating and diesel with a maximum B10 rating, it is not suitable for fuels above E20 or B10.

The hose conforms to SAE J30 R9.

This hose is not submersible for in tank use.



PART No.	I.D. (mm)	I.D. (inch)	Wall Thickness (mm)	O.D. (mm)	Working Pressure (Bar)	Working Pressure (Mpa)	Bend Radius (mm)	Weight (gm/m)	Length (m)
H533063/7M	6.3	1/4	3.05	12.4	6.9	0.69	20	140	7
H533079/7M	7.9	5/16	3.05	14.0	6.9	0.69	25	155	7
H533095/7M	9.5	3/8	3.15	15.8	6.9	0.69	40	205	7
#H533127/7M	12.7	1/2	3.20	19.1	6.9	0.69	50	250	7



For over 30 years the Pongpara Codan name has been synonymous with quality fluid handling systems supplied to the automotive industry. Pongpara Codan has become an approved supplier to leading car manufactures world wide, such as: BMW, Toyota, Volvo, GM/Opel, Nissan, Honda, Mazda and many more. Today, Pongpara Codan is one of the largest producers of our range of products in the ASEAN region and continues to grow steadily through a quality policy of continuous improvement and the use of licenced technology from joint partner Codan Gummi A/S of Denmark.

FUEL HOSE

Codan fuel hose is designed to carry automotive fuel and operates at temperatures ranging from -30 degrees C to +100 degrees C.

The inner tube is made from NBR (Nitrile) with an outer cover of CR (Neoprene).

This hose is suitable for unleaded petrol (up to 98 Octane) and diesel, it is not suitable for ethanol blends of petrol or bio diesel.

The hose is dual spiral wrap reinforced and conforms to SAE 30 R6.

It has a safety factor of 5:1

This hose is not submersible for in tank use.



PART No.	I.D. (mm)	I.D. (inch)	Wall Thickness (mm)	O.D. (mm)	Working Pressure (Bar) (Mpa)		Bend Radius (mm)	Weight (gm/m)	Length (m)
3111048/7M	4.8	3/16	3	10.8	3.4	0.34	15	110	7
3111048/30M	4.8	3/16	3	10.8	3.4	0.34	15	110	30
3111063/7M	6.3	1/4	3.2	12.7	3.4	0.34	20	140	7
3111063/30M	6.3	1/4	3.2	12.7	3.4	0.34	20	140	30
#3111063/100M	6.3	1/4	3.2	12.7	3.4	0.34	20	140	100
3111079/7M	7.9	5/16	3.4	14.7	3.4	0.34	25	160	7
3111079/30M	7.9	5/16	3.4	14.7	3.4	0.34	25	160	30
3111079/100M	7.9	5/16	3.4	14.7	3.4	0.34	25	160	100
3111095/7M	9.5	3/8	3.6	16.7	3.4	0.34	40	210	7
3111095/30M	9.5	3/8	3.6	16.7	3.4	0.34	40	210	30
3111095/100M	9.5	3/8	3.6	16.7	3.4	0.34	40	210	100
#3111110/7M	11.0	7/16	3.6	18.2	2.4	0.24	45	236	7
#3111110/100M	11.0	7/16	3.6	18.2	2.4	0.24	45	236	100
3111127/7M	12.7	1/2	3.8	20.3	2.4	0.24	50	257	7
3111127/30M	12.7	1/2	3.8	20.3	2.4	0.24	50	257	30

All dimensions in millimetres

#Non Stock Line - Minimum order quantities apply

HEATER HOSE

Codan Heater Hose has been specially developed for vehicle coolant systems and has a safety factor of 3:1. It is suitable for use over a temperature range of -40 degrees C. to +100 degrees C.

The hose is manufactured from a rubber and EPDM blend and is twin braided spiral wrap reinforced, conforming to SAE 20 R3. It is weather resistant and impervious to coolant system additives.

It is not suitable for use with petrochemical products.



PART No.	I.D. (mm)	I.D. (inch)	Wall Thickness (mm)	O.D. (mm)	Working Pressure (Bar)	Working Pressure (Mpa)	Bend Radius (mm)	Weight (gm/m)	Length (m)
#4801050/30M	5	13/64	3.2	11.5	10	1.0	29.0	110	30
4801080/30M	8	5/16	3.0	14.0	10	1.0	40	200	30
4801095/25M	9.5	3/8	3.75	17.0	10	1.0	50	220	25
#4801095/50M	9.5	3/8	3.75	17.0	10	1.0	50	220	50
#4801095/100M	9.5	3/8	3.75	17.0	10	1.0	50	220	100
4801127/15M	12.7	1/2	3.4	19.5	10	1.0	50	240	15
#4801127/50M	12.7	1/2	3.4	19.5	10	1.0	50	240	50
4801127/100M	12.7	1/2	3.4	19.5	10	1.0	50	240	100
4801160/15M	16	5/8	3.4	22.8	10	1.0	80	290	15
4801160/50M	16	5/8	3.4	22.8	10	1.0	80	290	50
4801160/100M	16	5/8	3.4	22.8	10	1.0	80	290	100
4801191/15M	19	3/4	3.6	26.3	10	1.0	100	360	15
#4801191/50M	19	3/4	3.6	26.3	10	1.0	100	360	50

STRAIGHT HOSE

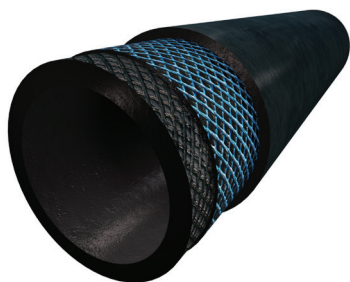
Codan Straight Hose is manufactured from high quality rubber and has many automotive and industrial applications.

COOLANT

Codan Coolant Hose has been specially developed for vehicle coolant systems and has a safety factor of 3:1. It is suitable for use over a temperature range of -40 degrees C to +100 degrees C.

The hose is manufactured from a rubber and EPDM blend and is twin braided spiral wrap reinforced, conforming to SAE 20 R3. It is weather resistant and impervious to coolant system additives.

It is not suitable for use with petrochemical products.



PART No.	I.D. (mm)	Length (m)
SRH16	16	1
SRH22	22	1
SRH25	25	1
SRH28	28	1
SRH32	32	1
SRH35	35	1
SRH38	38	1
SRH42	42	1
SRH45	45	1
SRH50	50	1
SRH54	54	1
SRH57	57	1
SRH60	60	1
SRH63	63	1
SRH70	70	1
SRH76	76	1
SRH83	83	1
SRH89	89	1

FUEL

Codan fuel hose is designed to carry automotive fuel and operates at temperatures ranging from -30 degrees C to +100 degrees C.

The inner tube is made from NBR (Nitrile) with an outer cover of CR (Neoprene).

This hose is suitable for Unleaded Petrol (up to 98 Octane) and Diesel, it is not suitable for Ethanol Blends of petrol or Bio Diesel.

The hose is dual spiral wrap reinforced and conforms to SAE 30 R6.

It has a safety factor of 5:1.

This hose is not submersible for in tank use.



PART No.	I.D. (mm)	Length (m)
SOH16	16	1
SOH22	22	1
SOH25	25	1
SOH28	28	1
SOH32	32	1
SOH35	35	1
SOH38	38	1
SOH42	42	1
SOH45	45	1
SOH50	50	1
SOH54	54	1
SOH57	57	1
SOH60	60	1
SOH63	63	1
SOH70	70	1
SOH83	83	1

Ideal for:

- Truck
- 4x4
- Tractor
- Car
- Boat
- Bus

MERCHANDISER - HOSE

This Merchandiser is designed to increase your sales of hose product. It is a robustly made powder coated steel cabinet. It is designed to hold 12 spools of hose and can be either displayed as a free standing unit or mounted to the wall. Among its many features are metric and imperial measuring scales, front loading of stock and bold marking of hose type and sizing.

FEATURES

- Fully Powder Coated Steel Cabinet
- Holds 12 Spools of Product
- Can Contain up to 8 Different Types of Hose
- Wall Mountable or Free Standing



PART NO. PCH001-G

Merchandiser Included

Qty	Pack	Part No.	Description	I.D. (mm)	I.D. (inch)	Length (m)
1	Spool	4205095/7M	Brake Vacuum	9.5	11/32	7
1	Spool	311T079/7M	Transmission Cooler	7.9	5/16	7
1	Spool	3111048/7M	Fuel	4.8	3/16	7
1	Spool	3111063/7M	Fuel	6.3	1/4	7
1	Spool	3111079/7M	Fuel	7.9	5/16	7
1	Spool	3111095/7M	Fuel	9.5	3/8	7
1	Spool	3300025/15M	Vacuum & Washer	2.5	7/64	15
1	Spool	3300030/15M	Vacuum & Washer	3	1/8	15
1	Spool	3300040/15M	Vacuum & Washer	4	5/32	15
1	Spool	3300055/15M	Vacuum & Washer	5.5	7/32	15
1	Spool	3300063/15M	Vacuum & Washer	6.3	1/4	15
1	Spool	H533079/7M	Fuel Injection Hose	7.9	5/16	7



MERCHANDISER - HEATER AND FUEL HOSE

FEATURES

- Metric & Imperial Measuring Scale
- Holds 3 Boxes
- Bold Marking of Hose Type & Size

HEATER HOSE

PART NO. PCH002-G Merchandiser Included

Qty	Pack	Part No.	I.D. (mm)	I.D. (inch)	Length (m)
2	Box	4801127/15M	12.7	1/2	15
2	Box	4801160/15M	16	5/8	15
2	Box	4801191/15M	19	3/4	15

* See page 12 for full hose specifications.

FUEL HOSE

PART NO. PCF002-G Merchandiser Included

Qty	Pack	Part No.	I.D. (mm)	I.D. (inch)	Length (m)
2	Box	3111063/30M	6.3	1/4	30
2	Box	3111079/30M	7.9	5/16	30
2	Box	3111095/30M	9.5	3/8	30

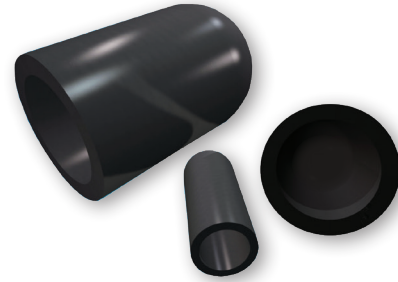
* See page 11 for full hose specifications.



Automotive Hose

WATER & VACUUM CAPS

PART No.	Description	UOM
RBP-18	Blanking Cap 1/8"	Each
RBP-316	Blanking Cap 3/16"	Each
RBP-14	Blanking Cap 1/4"	Each
RBP-516	Blanking Cap 5/16"	Each
RBP-12	Blanking Cap 1/2"	Each
RBP-38	Blanking Cap 3/8"	Each
RBP-58	Blanking Cap 5/8"	Each
RBP-34	Blanking Cap 3/4"	Each
VC18	Vacuum Cap Kit 1/8" I.D.	Pack of 4
VC316	Vacuum Cap Kit 3/16" I.D.	Pack of 4
VC14	Vacuum Cap Kit 1/4" I.D.	Pack of 4
VC516	Vacuum Cap Kit 5/16" I.D.	Pack of 4



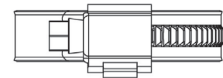
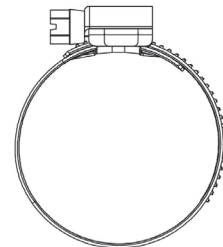
PART No.	Description	UOM
WC12	Water Caps 1/2" With Clamps, W3 430 stainless steel	Pair
WC12A	Water Cap 1/2" With Clamp, W3 430 stainless steel	Each
WC12B	Water Cap 1/2", W3 430 stainless steel	Pair
WC34	Water Caps 3/4" With Clamps, W3 430 stainless steel	Pair
WC34A	Water Cap 3/4" With Clamp, W3 430 stainless steel	Each
WC34B	Water Caps 3/4", W3 430 stainless steel	Pair
WC38	Water Caps 3/8" With Clamps, W3 430 stainless steel	Pair
WC38B	Water Caps 3/8", W3 430 stainless steel	Pair
WC58	Water Caps 5/8" With Clamps, W3 430 stainless steel	Pair
WC58A	Water Cap 5/8 With Clamp, W3 430 stainless steel	Each
WC58B	Water Caps 5/8", W3 430 stainless steel	Pair



All dimensions in millimetres

HOSE CLAMPS

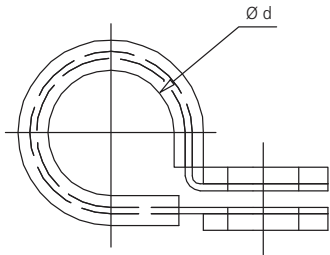
PART No.	Description
1110030010	Width: 9mm Diameter: 8mm - 12mm, W3 430 stainless steel
1110030020	Width: 9mm Diameter: 8mm - 16mm, W3 430 stainless steel
1110030040	Width: 9mm Diameter: 12mm - 20mm, W3 430 stainless steel
1120030020	Width: 12mm Diameter: 16mm - 27mm, W3 430 stainless steel
1120030030	Width: 12mm Diameter: 20mm - 32mm, W3 430 stainless steel
1120030040	Width: 12mm Diameter: 23mm - 35mm, W3 430 stainless steel
1120030050	Width: 12mm Diameter: 25mm - 40mm, W3 430 stainless steel
1120030060	Width: 12mm Diameter: 30mm - 45mm, W3 430 stainless steel
1120030070	Width: 12mm Diameter: 32mm - 50mm, W3 430 stainless steel
1120030090	Width: 12mm Diameter: 40mm - 16mm, W3 430 stainless steel
1120030110	Width: 12mm Diameter: 50mm - 70mm, W3 430 stainless steel
1120030120	Width: 12mm Diameter: 60mm - 80mm, W3 430 stainless steel
1120030130	Width: 12mm Diameter: 70mm - 90mm, W3 430 stainless steel



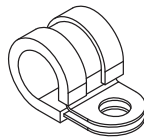
Screw	1.4016 DIN EN-10088-3 or equivalent
Housing	1.4016 DIN EN-10088-2 or equivalent
Band	1.4016 DIN EN-10088-2 or equivalent
Corrosion Resistance (min.hour) ISO 9227	200
Screw Head	

CUSHION CLAMPS

These are stainless Steel 430gd cushion clamps. They are used to secure tubing, piping & cables, they provide vibration isolation protection for these applications. They are predominately used on the underneath of vehicles, trailers & caravans.



Tip D1



Band

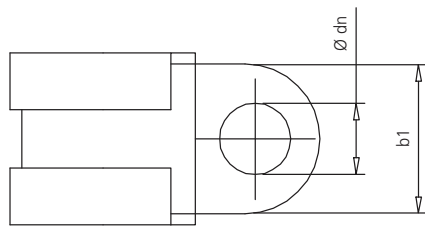
1.4016
DIN EN-10088-2 or
equivalent

Corrosion Resistance
(Min. hour ISO 9227)

200

D1 = 15,0mm

dn = 6,4mm



Part Number	Size
2170030006	6mm x 15mm
2170030009	9mm x 15mm
2170030010	10mm x 15mm
2170030012	12mm x 15mm
2170030013	13mm x 15mm
2170030015	15mm x 15mm
2170030016	16mm x 15mm
2170030019	19mm x 15mm
2170030020	20mm x 15mm
2170030022	22mm x 15mm
2170030025	25mm x 15mm
2170030027	27mm x 15mm
2170030029	29mm x 15mm

Rubber Type	EPDM
Colour	Black
Temperature (C°)	- 40 - + 120
Ozone Resistance	Very Good
Light Resistance	Very Good
Fuel Resistance	Insufficient
Oil Resistance	Insufficient
Alcohol Resistance	Good
Acid Resistance	Good
Base Resistance	Good

Matting



4X4 FLOOR MATS

Packaging: In pairs on a hanging heading card

PART No.	Description
52-700-2	Front Mat Black
52-701-2	Rear Mat Black



FEATURES:

- Raised edges eliminate dirt & mud falling from sides like conventional mats
- Easy removal for dirt disposal
- Non-slip underside eliminates mats sliding
- Made from highly durable natural rubber
- Fully washable
- Attractive appearance
- Fits most vehicles

IDEAL FOR:

- Four Wheel Drive
- Utes & Vans
- Council & Government Departments
- Commercial Vehicles
- Passenger Vehicles
- Tradespeople
- Farmers
- Snow Resorts
- Contractors

TRUNK TRAYS

Trunk Trays are high quality, durable rubber mats designed to maintain the cleanliness of a vehicle boot or cargo area and protect against cuts, stains and abrasions to the vehicle carpet.

Ask us about incorporating your company logo into the surface of these mats. They make an excellent accessory to be sold or perfect promotional giveaway. Extra costs may apply.

PART No.	Description (Width & Length)
52-702	750 x 500
52-707	900 x 600

FEATURES:

- Non-slip surface prevents items from sliding and rolling
- Heavy duty rubber construction is resistant to fuels, battery acid, paints and household chemicals
- Excellent for home use to protect floors and carpet
- Easily cleaned

IDEAL FOR:

- Four Wheel Drive
- Utes & Vans
- Council & Government Departments
- Commercial Vehicles
- Passenger Vehicles
- Tradespeople
- Farmers
- Snow Resorts
- Contractors



MOULDED UTE & VAN MATS

Para Moulded Ute Mats are made from a durable, UV resistant, fibre re-inforced, natural and synthetic, rubber; moulded to fit the contours of your Ute tray.

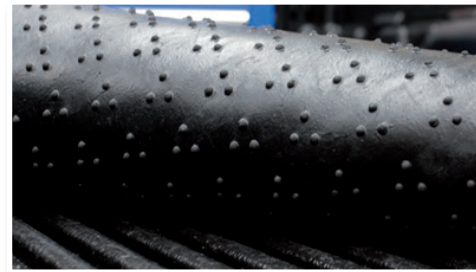


The special rubber compound and mat design help prevent your cargo from sliding in any direction, insuring your payload stays in place. Para Moulded Ute mats not only protect your cargo but also help to keep your ute tray in top condition.

FEATURES

- Made from durable fibre reinforced rubber
- UV Resistant
- Tear, crack & warp resistant
- Resistant to most chemicals and liquids
- Resistant to extreme temperatures
- Skid resistant
- Dimpled under bottom to help prevent water damage and rust
- Custom moulded to suit tray
- Made from natural and synthetic rubber
- Reduces noise

PART No.	Width & Length
14306	1310 x 1910
14307	1460 x 1820
41116	1520 x 1540
41208	1444 x 1410
41211	1515 x 1540
41309	1520 x 1420
41409	1475 x 1360
41410	1475 x 1515
41707	1515 x 1850
41708	1515 x 1515

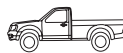


Available in Factory Fleetside Body & Steel / Aluminium Tray.

Mat model 14307 shown above.

Factory Fleetside Body

Steel / Aluminium Tray



MAKE	MODEL	MODEL	YEAR RANGE	STANDARD CAB	DUAL CAB	STANDARD CAB	DUAL CAB
TOYOTA	HILUX		2000-2005		#41113* 4WD		
TOYOTA	HILUX	692N	2006-CURRENT		41116* Comes with trim lines	14105	14105
TOYOTA	70 SERIES	79	2005-CURRENT			14105	
HOLDEN	COMMODORE	VE VF	2007-CURRENT	14306			
HOLDEN	RODEO	RA	2003-2008		41208*	14105	14105
HOLDEN	COLORADO	RC	2008-2012		41208*		
HOLDEN	COLORADO	RG	2012-CURRENT		41211*		
MITSUBISHI	TRITON	ML	2006-2008		41409*	14105	
MITSUBISHI	TRITON	MN/MQ	2009-CURRENT		41410* Comes with trim lines		
ISUZU	DMAX		2014-CURRENT		41211*		
MAZDA	BT50	BT50	2007-2011		41506*	14105	
MAZDA	BT50	BT50	2012-CURRENT		41708*		
FORD	RANGER		2007-2011		41705*	14105	14105
FORD	RANGER		2012-CURRENT		41708*	14105	
FORD	FALCON	AU-BF	1999-2007	14307*		14105	
NISSAN	NARVARA	D22M/D40	1999-2014		41309* Comes with trim lines	14105	
NISSAN	PATROL	GU	2001 - CURRENT			14105	

* If an accessory tub liner has been fitted, some trimming may be required

Note: Tray back mats may require trimming depending on length and width. Also tray manufacturers sizes may vary slightly for some models.

Note: 14105 Mat only comes in a standard size of 2420mm x 1850mm. This will need to be trimmed to suit aftermarket trays (steel/aluminium).

All dimensions in millimetres

#Non Stock Line - Minimum order quantities apply

UNIVERSAL FIT UTE & VAN MATS



These mats are available in five different sizes that can be easily cut to suit individual needs.

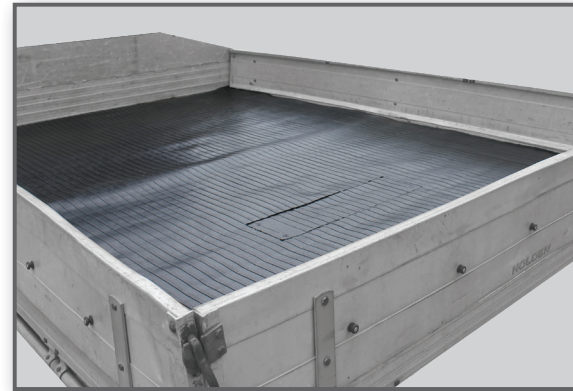


FEATURES:

- Made from durable, tear resistant rubber
- Ribbed non-slip surface prevents items from sliding and rolling
- Pimpled underside surface for drainage and condensation prevention
- Easily cut to suit individual needs

IDEAL FOR:

- Four Wheel Drive
- Utes & Vans
- Council & Government Departments
- Commercial Vehicles
- Passenger Vehicles
- Tradespeople
- Farmers
- Snow Resorts
- Contractors



PART No.	Description (Length x Width x Height)
UNI-705R	1575 x 2260 x 5
UNI-805R	1550 x 2440 x 5
UNI-806R	1850 x 2420 x 5
UNI-1005R	1524 x 3048 x 5
UNI-1006R	1820 x 3050 x 5

UNIVERSAL RUBBER MATS

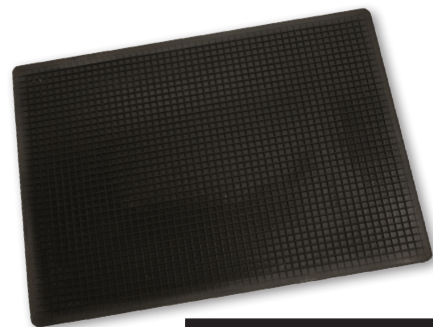
The Universal Rubber Mat is high quality, low cost mat manufactured from a blend of natural and synthetic rubbers. The availability of two sizes make it ideal for a large range of industrial, domestic, marine and automotive uses.

FEATURES:

- Low cost
- High Quality Durable Rubber
- Universal Application

IDEAL FOR:

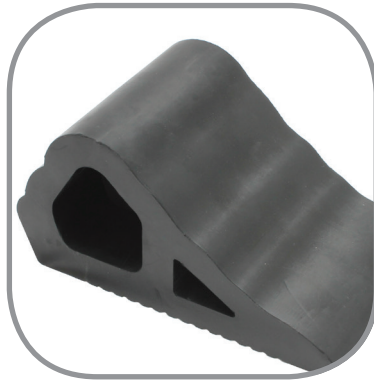
- Cars
- 4WD
- Trucks
- Domestic
- Industrial
- Marine



PART No.	Description (Length x Width)
52-501	457 x 609
52-5165	508 x 711

All dimensions in millimetres

Moulded Rubber Products

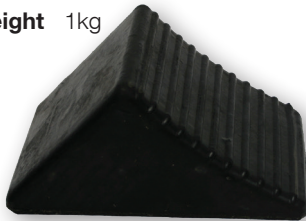


WHEEL CHOCKS

The range of wheel chock products shown in this catalogue have been independently tested to the load factors shown in the SAE J348 (Society Of Automotive Engineers) international standard. All wheel chocks were found to meet and in some cases exceeded the required load ratings in the Standard.

SMALL:

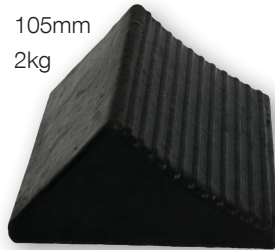
Length 205mm
Width 130mm
Height 100mm
Weight 1kg



WC1467A

MEDIUM:

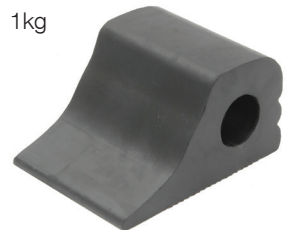
Length 205mm
Width 205mm
Height 105mm
Weight 2kg



WC1468A

SMALL:

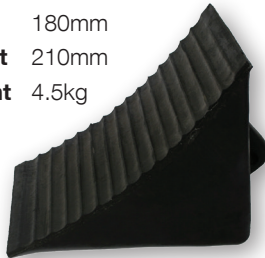
Length 155mm
Width 100mm
Height 75mm
Weight 1kg



WC1155

LARGE HALF MOON:

Length 260mm
Width 180mm
Height 210mm
Weight 4.5kg



WC2556A

TETHERED WHEEL CHOCK:

Length 205mm
Width 105mm
Height 90mm
Weight 3kg



Rope length 900mm

WC24483

MEDIUM:

Length 275mm
Width 160mm
Height 150mm
Weight 4kg



WC1275

IDEAL FOR:

- Truck
- Bus
- Aviation
- 4WD
- Variety of Industries

FEATURES:

- Manufactured from an extremely durable and hardwearing EPDM blended rubber compound.

OTHER SIZES ARE AVAILABLE

All dimensions in millimetres

RUBBER HOIST PADS



**RUBBER HOIST PAD TO SUIT
BISHAMON RKN40NW,
NSA30, NSP30 HOISTS WITH METAL
REINFORCED MOUNTING PLATE
NO SCREWS INCLUDED**

RHPB001



**RUBBER HOIST PAD TO SUIT
BISHAMON SPW3000,
SPW2500 HOISTS WITH METAL
REINFORCED MOUNTING PLATE
NO SCREWS INCLUDED**

RHPB004



**RUBBER HOIST PAD TO
SUIT 2 & 3 HOLE POWERREX
2900F 2900FR HOISTS
SCREWS NOT INCLUDED**

RHPP003



**RUBBER HOIST PAD TO SUIT
TECALEMIT V15100 & 3000
SERIES HOISTS**

RHPT002



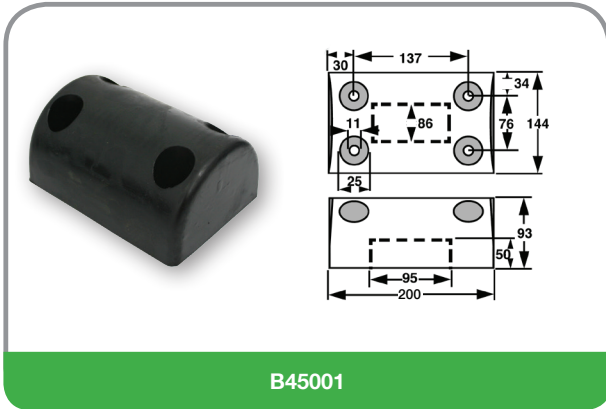
**RUBBER HOIST PAD TO SUIT
MOLNAR MF17505-85A-3T,
95A-3T & 4T HOISTS**

RHPM005

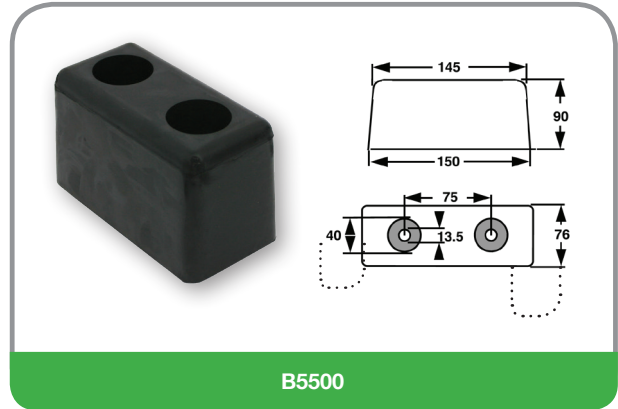
VEHICLE HOIST REPLACEMENT PADS MADE FROM HIGH GRADE DURABLE RUBBER

- Molnar
- Tecalemit
- Bishamon
- Powerrex

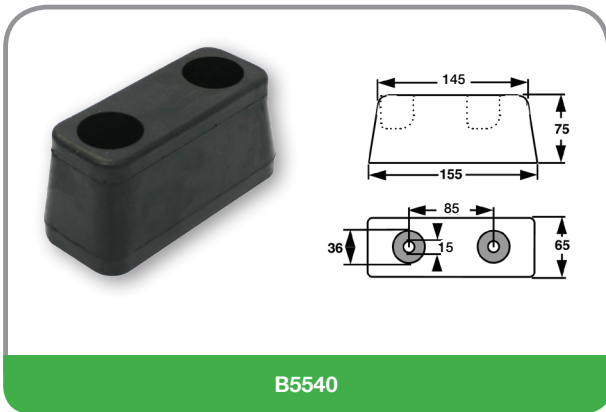
HEAVY DUTY BUFFERS



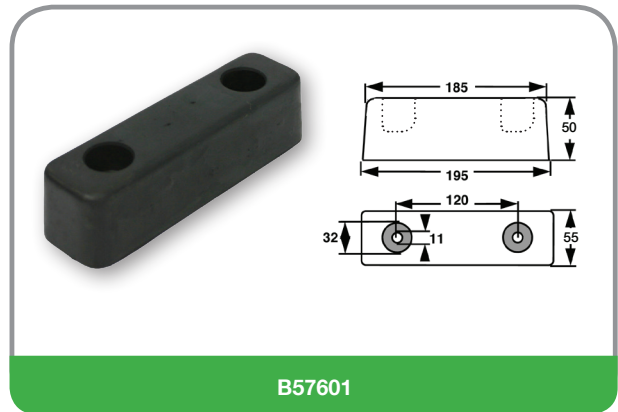
B45001



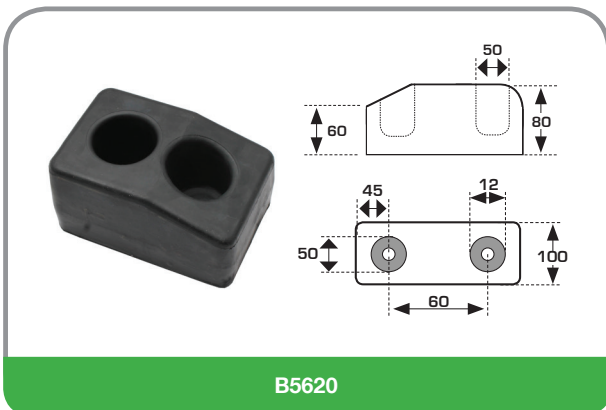
B5500



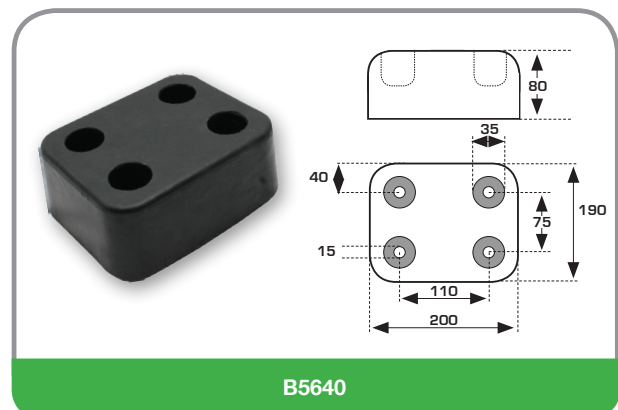
B5540



B57601



B5620



B5640

IDEAL FOR:

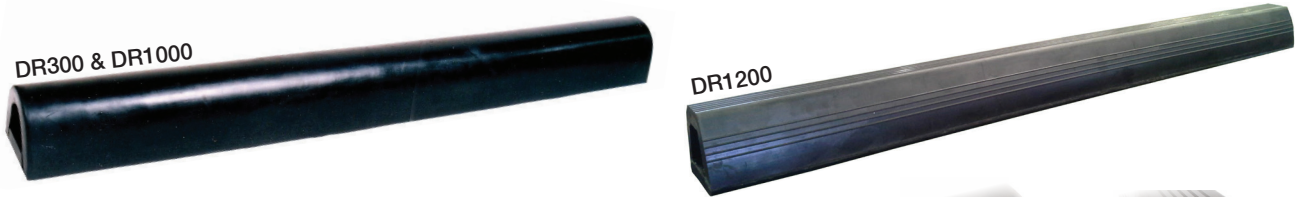
- Medium Weight truck bumpers.
- 4WD
- Any industrial application where noncyclic buffing is experienced.

FEATURES:

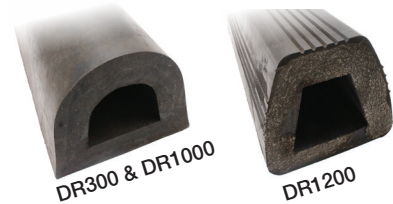
- Moulded in mounting holes for easy fixing
- Manufactured from an extremely durable and hardwearing EPDM blended rubber compound

Hardness = 75 DURO

MOULDED DOCKING RUBBER



PART No.	Height (mm)	Width (mm)	Length (mm)	Wall Thickness (mm)
DR300	110	90	300	20
DR1000	110	90	1000	20
DR1200	94	104	1200	20



DR1200 CUT FOR YOUR CONVENIENCE:

PART No.	Height (mm)	Width (mm)	Length (mm)	Wall Thickness (mm)
DR200C	94	104	200	20
DR300C	94	104	300	20
DR400C	94	104	400	20
DR600C	94	104	600	20

Protect property and vehicles from damage by using these heavy duty docking buffer. Suitable for loading bays and jetties etc. They are manufactured from an extremely durable and hardwearing EPDM blended rubber compound.

FEATURES:

- Can be easily drilled for mounting onsite or cut to length.
- Can be fixed directly to the bumper bar of large trucks.
- Manufactured from an extremely durable and hardwearing EPDM blended natural rubber compound.

IDEAL FOR:

- 4WD
- Loading Bays
- Jetties
- Wharves
- Trucks
- Truck Trailers

BUMPER MOUNTING

MOULDED MOUNTING FOOT

BB1001

BUMPER SCREW ON

M17205

FEATURES:

- Solid moulded rubber
- Durable
- Reduces Vibration and Noise
- Hard wearing EPDM rubber

IDEAL FOR:

- 4WD
- Machine mounting legs
- Protecting doors, walls etc
- Truck bumper bars and industrial applications

All dimensions in millimetres

RUBBER TIE DOWN STRAPS

Produced from natural rubber not UV stable



QUICK GRIP HOOKS

PART No.	Length (mm)	Recommended MAX Stretch Length (mm)	Pack Quantity
74-010-10	254	330	10
74-0150-10	381	481	10
74-021-10	533	750	10
74-031-10	787	1000	10

MERCHANDISER - RUBBER TIE DOWN STRAPS

This attractive wall mounted tie down merchandiser saves space, is easily restocked, and can actually help you to generate profits.

The merchandiser measures 380mm x 120mm and is mounted using keyhole slots.

WARNING:

- Do not extend rubber tie down strips beyond their recommended maximum stretch limits.



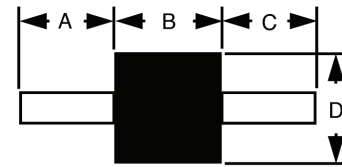
MERCHANDISERS

PART No.	Description
74-003	20 of each of the 4 sizes
74-004	30 of each of the 4 sizes

All dimensions in millimetres

ANTI-VIBRATION CUSHION CONNECTOR – TYPE A

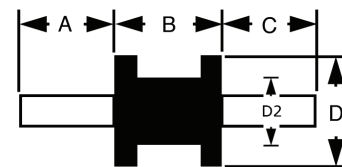
PART No.	DURO	A (mm)	B (mm)	C (mm)	D (mm)	BOLT
CC1002-40-516	40	18	17	18	25	5/16 UNF
GSP6002	65	13	20.5	13	25	6 x 1.0
GSP6004	65	22	30.5	22	40	8 x 1.25
GSP6005	65	27	45.7	27	50	10 x 1.25



Supplied with Nuts

ANTI-VIBRATION CUSHION CONNECTOR – TYPE B

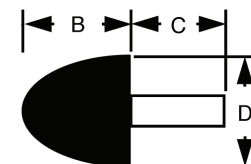
PART No.	DURO	A (mm)	B (mm)	C (mm)	D (mm)	D2 (mm)	BOLT
GSP6001	65	12	41	12	20	11	6 x 1.0
GSP6003	65	22	24.5	22	30	24	8 x 1.25
GSP6006	65	27	36	27	56	45	10 x 1.25



Supplied with Nuts

SHAPED BUFFER – TYPE C

PART No.	DURO	B (mm)	C (mm)	D (mm)	BOLT
GSP6007	65	31	22	40	8 x 1.25
GSP6008	65	61	27	50	10 x 1.25

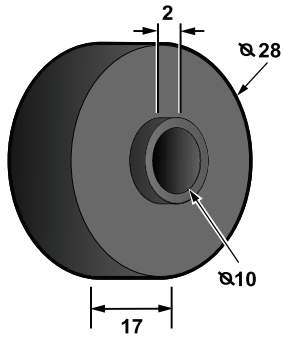


Supplied with Nuts

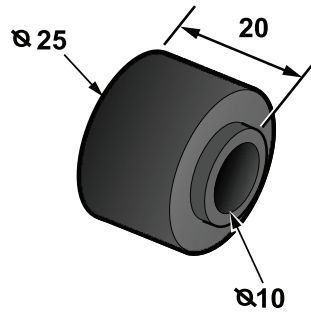
IDEAL FOR:

- 4WD
- Cars
- Boats
- Trailers

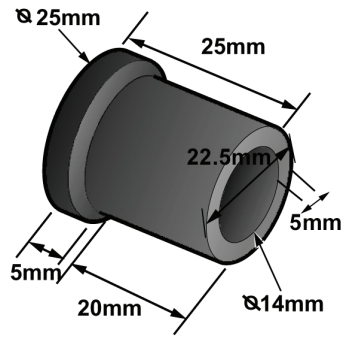
UNIVERSAL RUBBER BUSHES



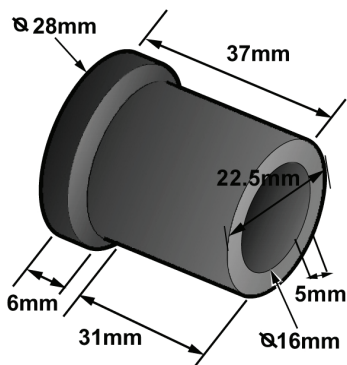
S4002



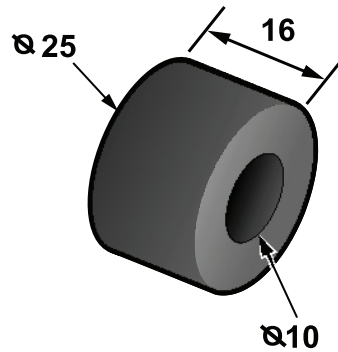
S4006



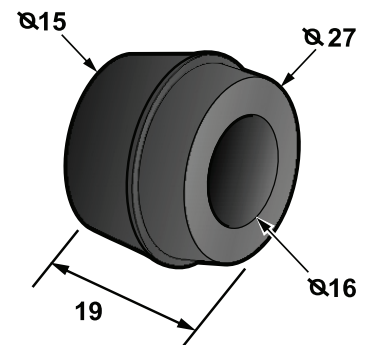
S4011



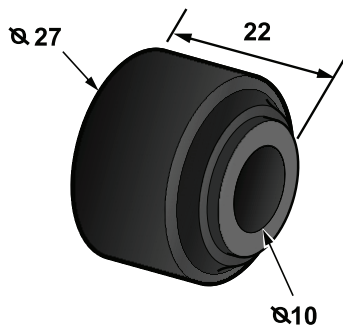
S4013



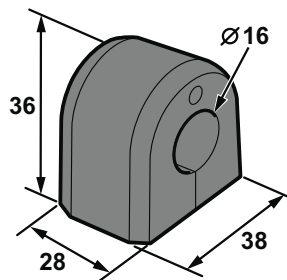
S4021



S4025



S4026

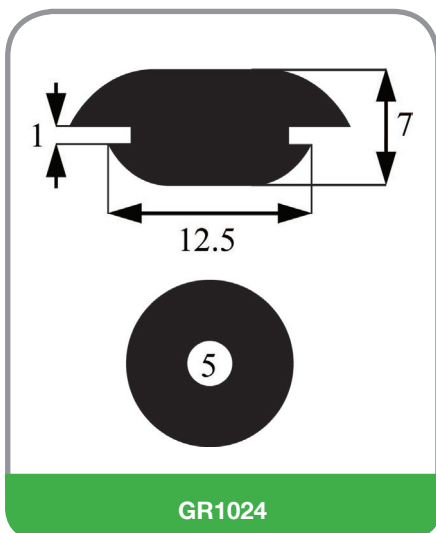
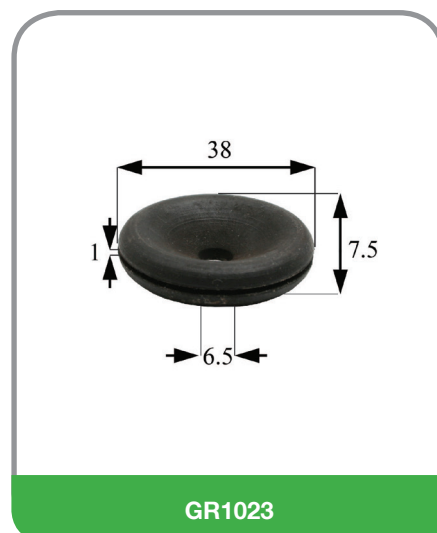
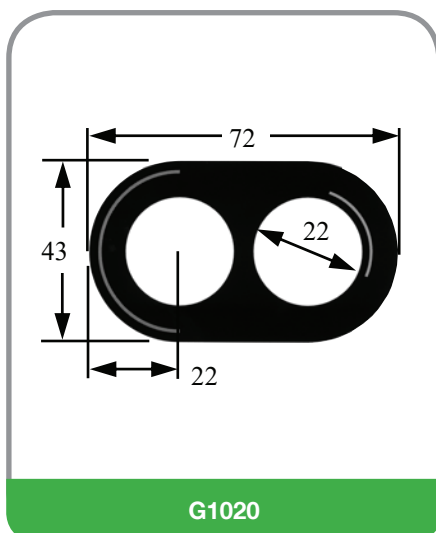
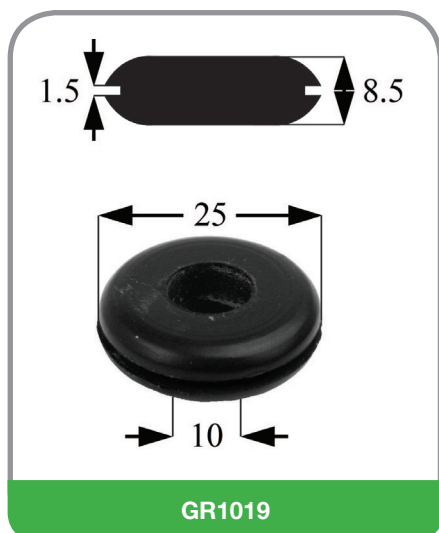
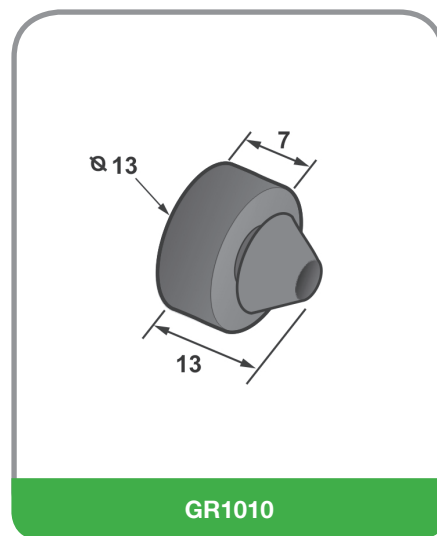
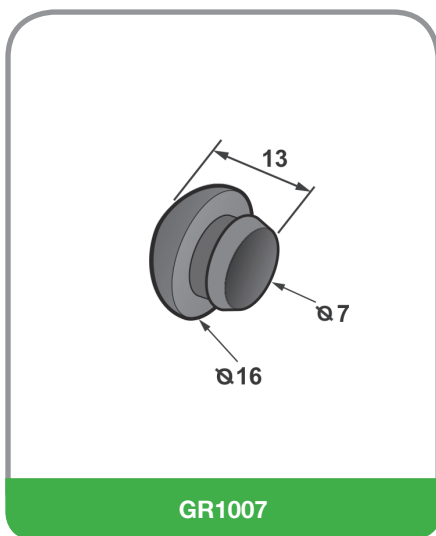


U00077

IDEAL FOR:

- 4WD
- Cars
- Boats
- Trailers

ANTI-RATTLE BUMPERS & GROMMETS



IDEAL FOR:

- 4WD
- Cars
- Boats
- Trailers

All dimensions in millimetres



RSP AUTOMOTIVE & INDUSTRIAL PTY LTD
(Incorporating Rare Spares)

20-22 Truck City Drive, Campbellfield, Vic 3061, Australia

Ph: +61 3 9305 4000

Fax: +61 3 9305 3520

www.rsp.net.au

rsp@rsp.net.au

Available from: